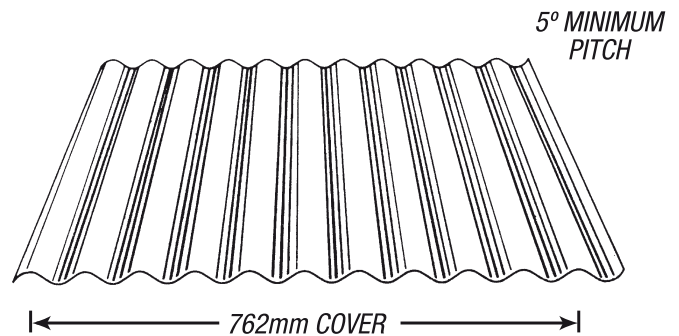


FIRST IN AUSTRALIA TO PRODUCE LONG-LENGTH GUTTERING

LARGE RANGE OF PAST AND PRESENT COLOURS AVAILABLE

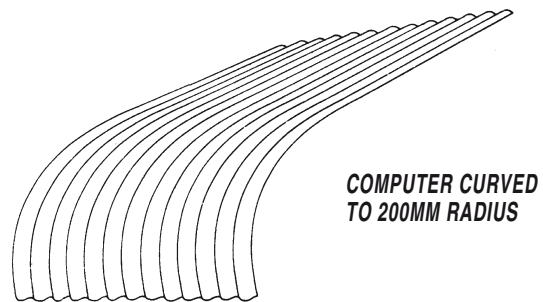
CORRUGATED ROOFING

MACK BROS. cut-to-length Corrugated Roofing is a strong, light and economical product suited for roofs and wall cladding. Neat in appearance and easy to fix, Corrugated Roofing is the most widely known and used sheeting on the Australian market. Side laps incorporate anti-capillary edges.



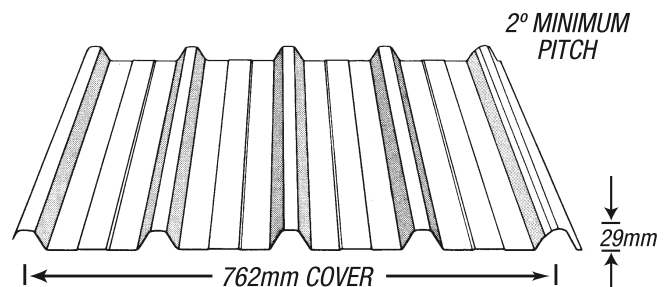
BULLNOSE AND CURVED ROOFING

MACK BROS. Bullnose and Curved Roofing is popular for curved roofs and verandahs. Our computerised curving machine produces precision-matched curved sheets, down to 200 mm radius, in any design.



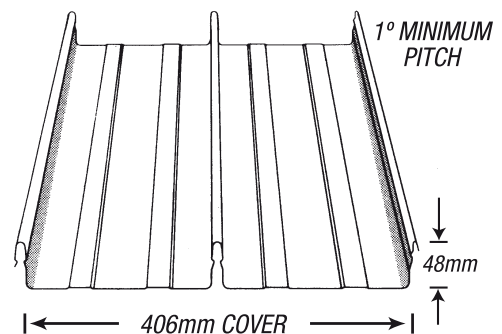
ROOF AND WALL CLADDING

MACK BROS. Roof and Wall Cladding is a modern 5-rib profile that suits both domestic and industrial applications. It has the same cover-width as the corrugated roofing but has higher rib-height, which gives it good water run-off capacity. It can be used on a roof with a pitch as low as 2° and has anti-capillary side laps.



ROOF DECKING

MACK BROS. 406 Decking is a sleek and modern profile with a cover width of 406 mm. Its seamless profile uses concealed fixing clips which eliminate the need for the unsightly screws used on other profiles. Because of the high rib-height of 48 mm, this profile has good water run-off capacity and can be used on roofs with a pitch down to 1°.



Available: Zincal / Galvanised / Stainless Steel / Copper / Prepainted Steel & Seaside Colour

630 Heatherton Road, Clayton South Vic 3169
Fax (03) 9571 7928
sales@mackbros.com.au
www.mackbros.com.au

(03) 9571 7911

FAMILY BUSINESS ESTABLISHED 1946